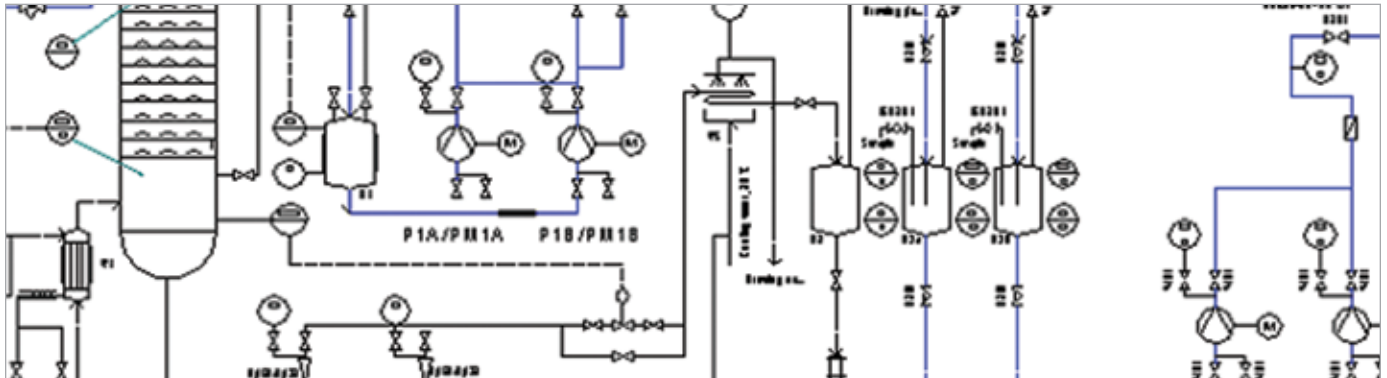


## SmartSketch®



### YOUR ENGINEERING COMPANION

SmartSketch® is a versatile and cost-effective precision engineering and drafting product. It gives EPCs and O/Os a competitive edge throughout the plant life cycle by speeding productivity, cutting costs, and offering a sophisticated degree of automation for detail work. As an interlocking piece of Intergraph's best-in-class life cycle solution, SmartSketch is a premium tool for the drawing generation task inherent in your work process.

### AUTOMATE PRODUCTION DESIGNS AND DRAWINGS

SmartSketch provides powerful features such as parametrics and relationships that enable execution of design changes quickly and efficiently. SmartSketch automatically creates and maintains relationships between geometric elements, and supports parametric graphics. For example, a baseline design can be made customer-specific by driving it from an external data source such as a spreadsheet that holds the dimensions for the specific case. This will update the drawing in a matter of seconds, using a proven and verified design basis to ensure quality.

### CUT PRODUCTION TIME

Using SmartSketch, engineers and designers can create preliminary designs that draftsmen can easily detail and finalize, without the costly errors that frequently occur from misreading hand-drawn sketches. In addition, Industry Solutions in SmartSketch supply task- and application-specific templates that set up appropriate units, drawing scales, borders, title blocks, toolbars, and more than 7,500 symbols that are specific to your discipline's work environment. Templates for the process, power, and marine industries include those for process flow and block diagrams, electrical schematics, and plot plans.

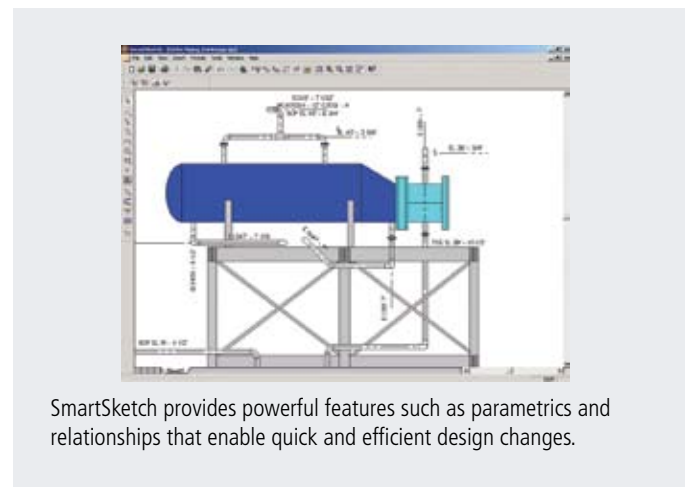
### PRESERVE AND ENHANCE LEGACY DATA

SmartSketch enables users to reference, combine, edit, and create MicroStation and AutoCAD data. By maintaining MicroStation

and AutoCAD element symbology, SmartSketch can augment 2D workflows where expensive and high-powered CAD is impractical. SmartSketch supports DWG, DXF, and DGN data formats; therefore, you can protect your investment in legacy data.

### FIT YOUR WORK PROCESS

SmartSketch reduces costs to EPCs and plant owners in three ways. First, SmartSketch provides advanced design and drafting functionality at a fraction of the cost of traditional drafting packages. Second, SmartSketch easily integrates with corporate information, such as spreadsheets and other office tools, through its automation layer. Further, SmartSketch can be customized through programming to address your specific workflow. Finally, features that allow you to re-use data templates and easily update drawings help you avoid inconsistencies in your production drawing.



SmartSketch provides powerful features such as parametrics and relationships that enable quick and efficient design changes.

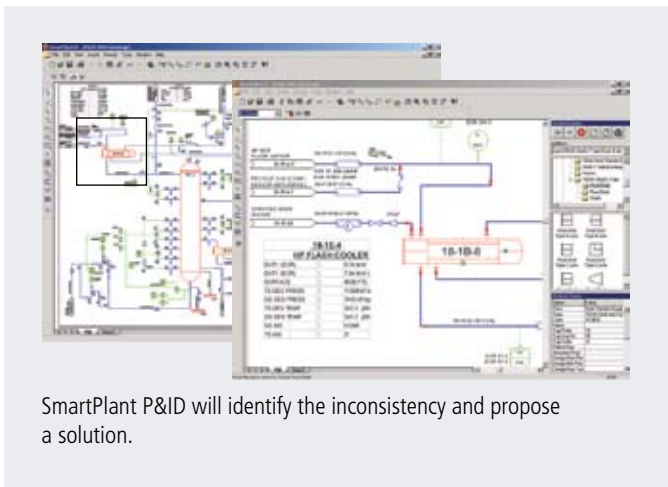
### ADD VALUE THROUGHOUT YOUR PLANT

SmartSketch adds value throughout the entire plant by offering full functionality for all phases of the life cycle. For example,

SmartSketch can be used by engineering personnel in disciplines such as process design, power, electrical, structural, instrumentation, and HVAC.

During front-end engineering and design (FEED), users can sketch conceptual and preliminary drawings quickly and accurately. Process-, power-, and marine-specific solutions allow users to easily draft site layouts, preliminary process flow diagrams (PFDs), and single-line diagrams and schematics.

SmartSketch provides tools to rapidly produce and mark up structural, piping, and cable tray details, installation details, electrical and instrumentation schematics, and other drawings. Such functionality is valuable in the entire process, from design to construction, maintenance, and decommissioning. SmartSketch helps to avoid and/or automatically update design changes downstream, and reduces the overall engineering process time by enabling quick and accurate revisions.



SmartPlant P&ID will identify the inconsistency and propose a solution.

## SMARTSKETCH IS VERSATILE

SmartSketch is fully integrated with Microsoft® Office, providing a Microsoft-style interface. SmartSketch can combine graphics with Word documents or Excel spreadsheets for installation and training manuals, technical illustrations, maintenance records, and equipment specifications. SmartSketch's Save As HTML

functionality converts drawings and embeds them in a HTML file for quick publication to your corporate intranet or extranet, making SmartSketch the ultimate online extension of your desktop.

## THE VALUE PROPOSITION

The features and capabilities included in SmartSketch will save design time and increase accuracy, which translates into cost savings.

**Parametric design:** Entering variables will save time and increase consistency when creating new designs.

**Precision drawing:** Using real coordinates and dimensions will create high-quality designs for construction and maintenance.

**Ability to leverage legacy data:** Read and write traditional CAD formats such as AutoCAD and MicroStation.

**Complements data-centric engineering suite:** SmartSketch benefits all phases of engineering, from front-end preliminary P&IDs to back-end drawing production.

**Extends to fit your work process:** SmartSketch can be easily configured to interface or perform specific tasks that will enhance your work process.

**Microsoft Office-compatible:** SmartSketch allows you to insert and combine graphics with Microsoft Office files.

**Engineering task templates:** SmartSketch includes symbol libraries and templates used by the various engineering disciplines, such as HVAC, architectural, piping, etc.

**Relationships:** SmartSketch creates and maintains relationships that ensure data connectivity and consistency.

**Report results:** SmartSketch enables reporting of symbol attributes in Microsoft Excel format.

## ABOUT INTERGRAPH

Intergraph Corporation is the leading global provider of spatial information management (SIM) software. Security organizations, businesses and governments in more than 60 countries rely on the company's spatial technology and services to make better and faster operational decisions. Intergraph's customers organize vast amounts of complex data into understandable visual representations, creating intelligent maps, managing assets, building and operating better

plants and ships, and protecting critical infrastructure and millions of people around the world.

For more information, visit [www.intergraph.com](http://www.intergraph.com).

